

## DATA SHEET

# V-Mount Camera Plate

PAG-9501 / EAN 5060854320117



V-MOUNT CAMERA PLATE  
MODEL 9501 FEATURES  
A SINGLE D-TAP OUTPUT

This V-Mount Camera Plate provides a secure mechanical and electrical connection between the camera, or other suitable equipment, and V-Mount batteries. It has a robust moulded construction and incorporates high-quality contact pins.

A single D-Tap output is situated on the top of the camera plate, which is suitable for powering 12V camera accessories and capable of supplying up to 10A.

A universal back plate is included which enables fitting to a variety of cameras.

**Specification:****Model 9501****Outputs:**

1 x D-Tap, 12V 10A (unregulated).

**Dimensions:**

Length: 140mm (5.50").

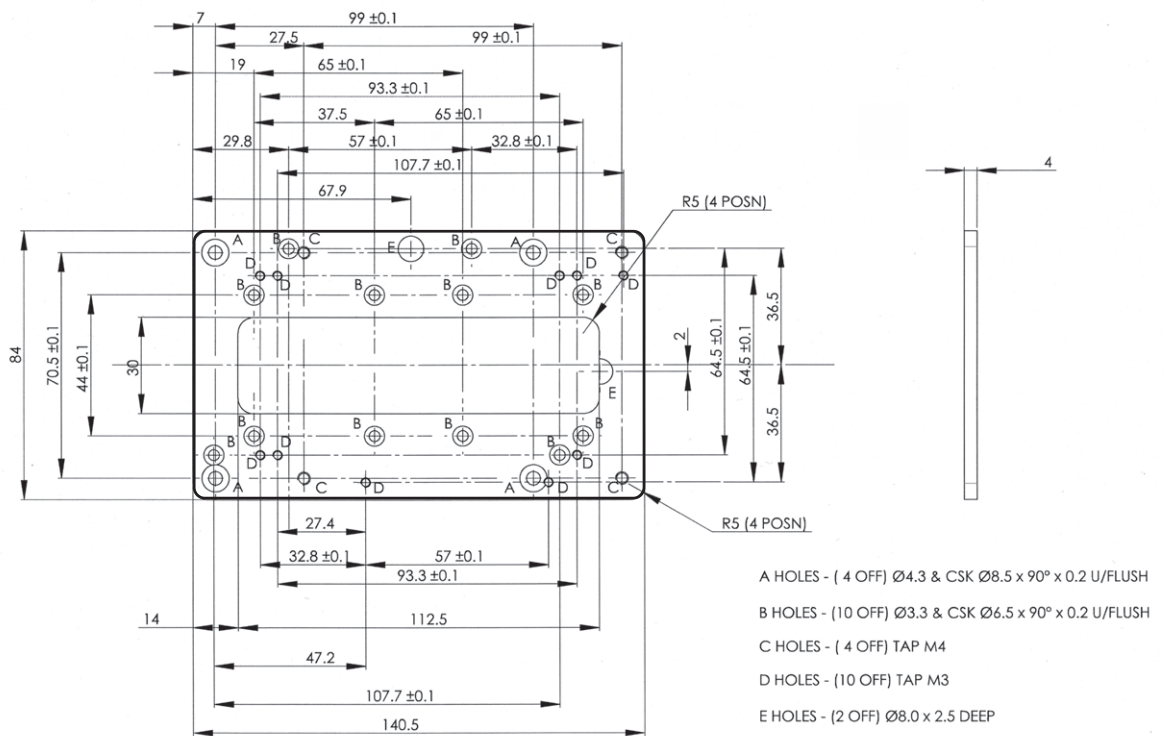
Width: 85mm (3.35").

Height: 27mm (1.00").

REAR OF PAG-9501 V-MOUNT CAMERA PLATE:



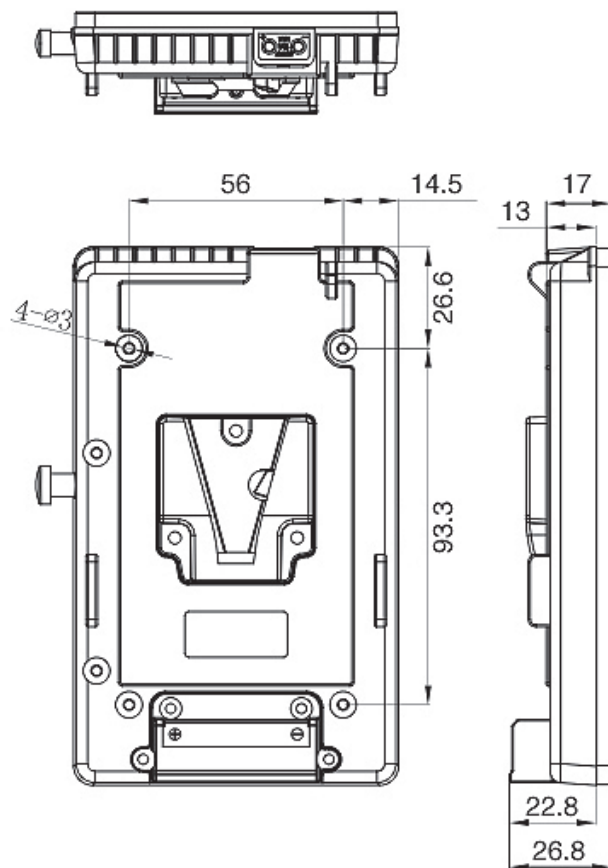
DIMENSIONS OF BACK PLATE SUPPLIED WITH MOUNT:



FIXINGS PROVIDED WITH THE CAMERA PLATE, SUITABLE FOR A VARIETY OF CAMERAS:



DIMENSIONS OF PAG-9501 V-MOUNT CAMERA PLATE IN MM:



© PAG Ltd. PAG is the trademark of PAG Ltd. / PAG reserves the right to change the specifications contained herein without notice.



**PAG Ltd. UK**  
565 Kingston Road  
London SW20 8SA

**E sales@paguk.com**  
**T +44 (0)20 8543 3131**  
**www.paguk.com**